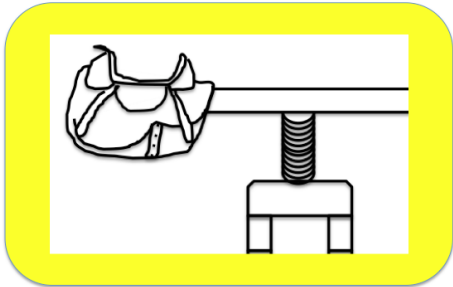


## Rodeo



Rodeo auf gefedertem Holzbock mit Sattel für Anlässe der Teeniegruppe im Dorf / Quartier

### Basic idea / Goal

With a spring-loaded wooden buck with saddle, a bucking horse is imitated. One sits in the saddle and the other jogs behind. The goal is to stay in the saddle as long as possible.

### Duration / Period / Effort

The effort is quite big, because building, transporting and setting up takes quite a lot of time.

### Material needed

Beams, very strong truck spring, plastic barrel, western saddle, enough mats

### Cost

Beam approx. Fr. 100.- borrow saddle and truck spring via relations

### Execution of the project

see construction sketch

The whole frame needs to be very heavy and hold well! (Bolt it well) The attachment of the spring is very tricky. Best to ask a mechanic

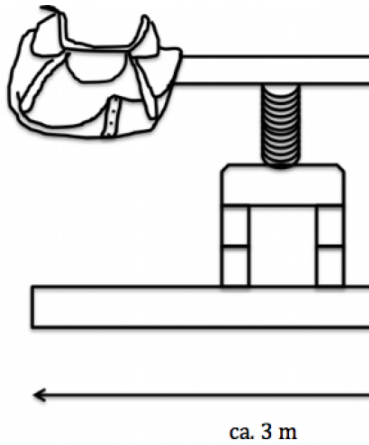
### Important notes

The wooden trestle and the area around it (where you fall) need to be very well padded with mattresses or gym mats. Running the whole thing takes a lot of stamina. It is advisable to have enough ladders ready.

### Application

Suitable for village festival or Chilbistand

## Building sketch



## Building sketch

### Source reference

**Content:** Teenie working group, Margrit Hugentobler and Lukas Brunner, Hinwil

**copyright:** BESJ Fällanden [www.besj.ch](http://www.besj.ch)

**image:** Juropa .net [www.juropa.net](http://www.juropa.net)