

Teens-Hocker

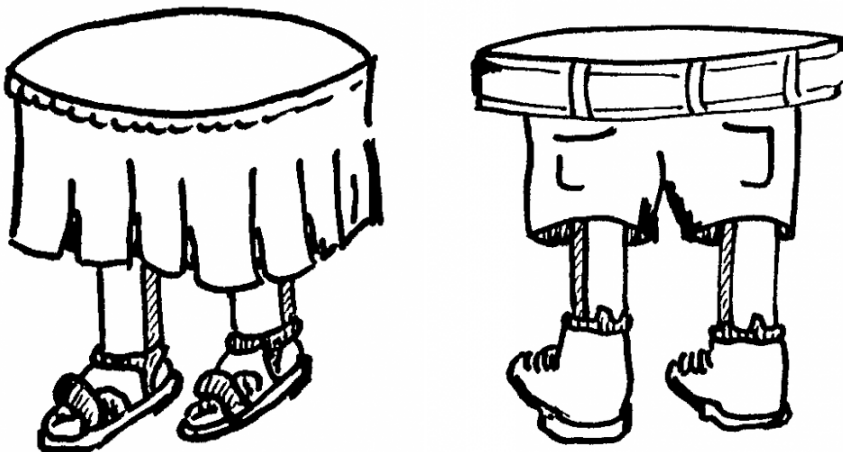


Einmal etwas ganz anderes basteln/werken/bauen!

Einen individuellen Hocker, ganz privat für jeden Teenager einen

Teens stools - homemade

We build chairs with the teenagers! Everyone can design his own stool according to his idea with his shoes.



Working steps

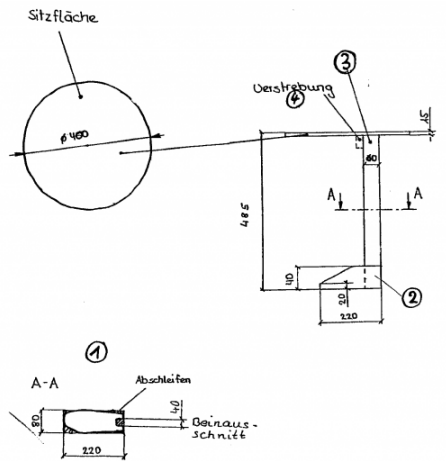
1. Finish foot
2. Glue chair leg into foot and attach with 4 countersunk screws.
3. Screw legs to seat
4. Screw bracing to legs (snug against seat)
5. Dress (shoes, socks, pants, jeans)

Material for 6 "chairs"

Seat surface Spe 6 pieces 400 mm x 400 mm x 15 mm

Chair legs fir 12 pieces 470 mm x 60 mm x 40 mm

Feet fir 12 pieces 220 mm x 80 mm x 40 mm



Teen Stool

Source credits:

Author and images: BESJ Switzerland www.besj.ch