

## Teens-Hocker



Einmal etwas ganz anderes basteln/werken/bauen!

Einen individuellen Hocker, ganz privat für jeden Teenager einen

## Teens stools - homemade

We build chairs with the teenagers! Everyone can design his own stool according to his idea with his shoes.



### Working steps

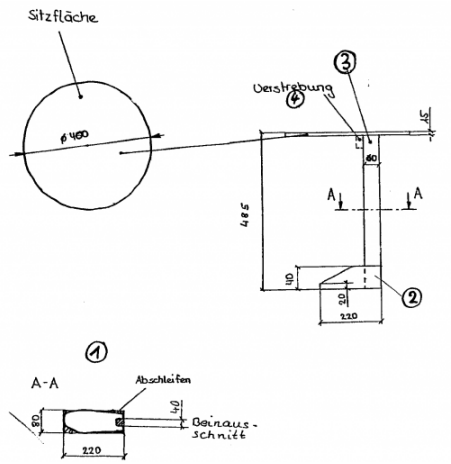
1. Finish foot
2. Glue chair leg into foot and attach with 4 countersunk screws.
3. Screw legs to seat
4. Screw bracing to legs (snug against seat)
5. Dress (shoes, socks, pants, jeans)

### Material for 6 "chairs"

Seat surface Spe 6 pieces 400 mm x 400 mm x 15 mm

Chair legs fir 12 pieces 470 mm x 60 mm x 40 mm

Feet fir 12 pieces 220 mm x 80 mm x 40 mm



## Teen Stool

### Source credits:

Author and images: BESJ Switzerland [www.besj.ch](http://www.besj.ch)